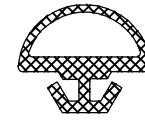
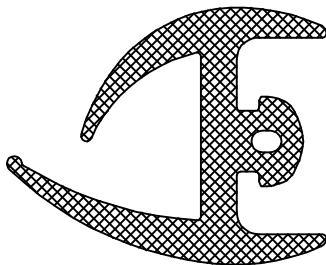


425 136
921 gr / m
6.5 m anod/brute

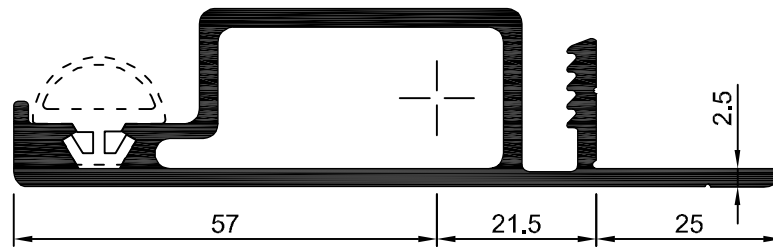
425 135
983 gr / m
6.5 m anod/brute



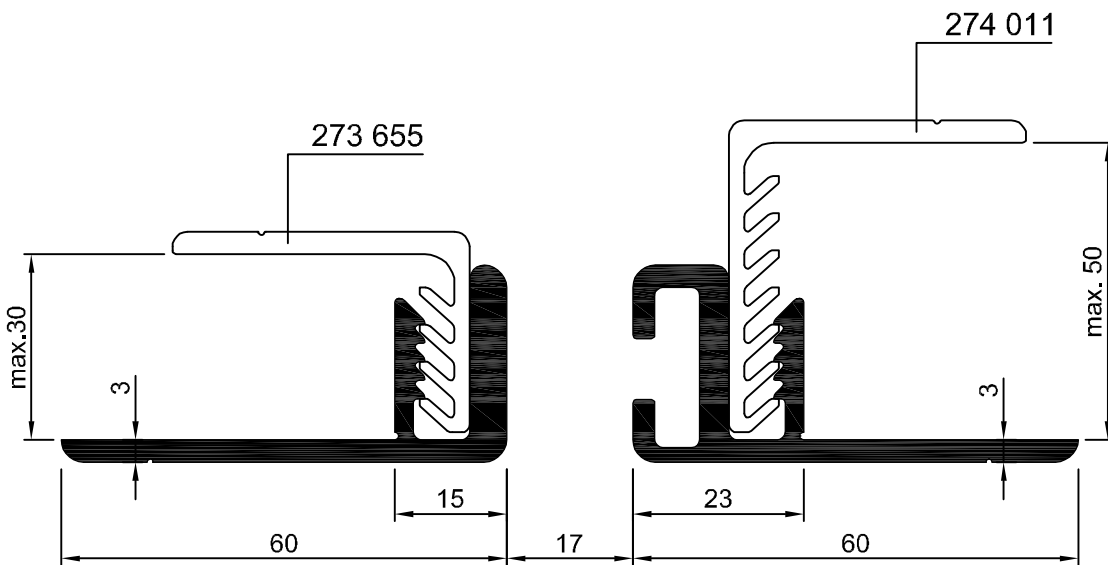
220 084



273 647



425 137
1588 gr / m
6.5 m brute



425 081
937 gr / m
6.5 m brute

425 079
1031 gr / m
6.5 m brute

Copyright and ownership of this drawing is vested in RTS, whose prior written consent is required for its use, reproduction or for publication to any third party. All other rights reserved. Subject to modifications.

The purpose of this drawing is merely informative. RTS accepts no liability for incorrectness or incompleteness. The installer remains liable for correct and safe installation and maintenance of RTS materials.